

AD-IPC-HDW4300S

3Megapixel Full HD Network Small IR Dome Camera



Features

- 1/3" 3Megapixel progressive scan Aptina CMOS
- H.264 & MJPEG dual-stream encoding
- Max 20fps@3M(2048x1536)&25/30fps@1080P(1920x1080)
- DWDR, Day/Night(ICR), 3DNR,AWB,AGC,BLC
- Multiple network monitoring: Web viewer, CMS(DSS/PSS) & DMSS
- 3.6mm fixed lens (6mm optional)
- Max. IR LEDs Length 20m
- IP66, PoE

AD-IPC-HDW4300S

Technical Specifications

Model	AD-IPC-HDW4300S
Camera	
Image Sensor	1/3" 3Megapixel progressive scan CMOS
Effective Pixels	2048(H)x1536(V)
Scanning System	Progressive
Electronic Shutter Speed	Auto/Manual, 1/3(4)~1/10000s
Min. Illumination	0.01Lux/F1.6 (Color), 0Lux/F1.6(IR on)
S/N Ratio	More than 50dB
Video Output	N/A
Camera Features	
Max. IR LEDs Length	20m
Day/Night	Auto(ICR)/Color/B/W
Backlight Compensation	BLC / HLC / DWDR
White Balance	Auto/Manual
Gain Control	Auto/Manual
Noise Reduction	3D
Privacy Masking	Up to 4 areas
Lens	
Focal Length	3.6mm (6mm optional)
Max Aperture	F1.8(F1.6)
Focus Control	Manual
Angle of View	H:72.5°(44°)
Lens Type	Fixed lens
Mount Type	Board-in Type

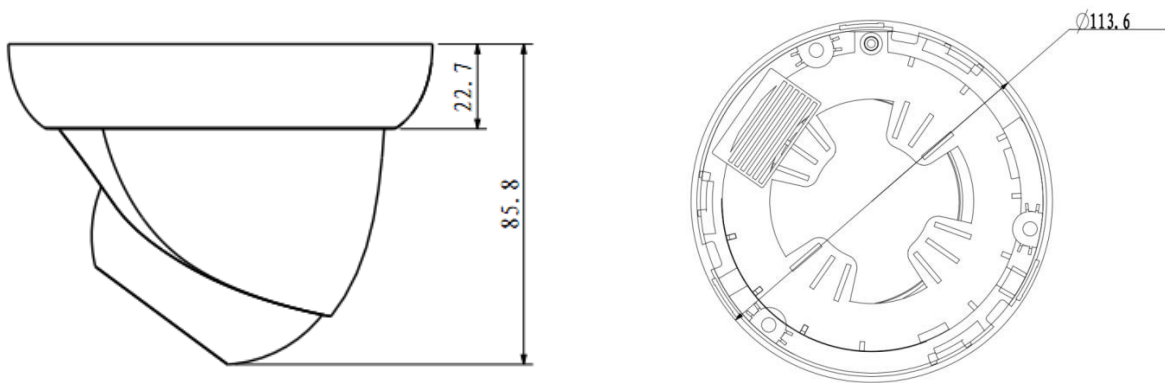
AD-IPC-HDW4300S

Video		
Compression	H.264/ MJPEG	
Resolution	3M(2048×1536)/1080P(1920×1080) / 720P(1280×720) /	
Frame Rate	Main Stream	3M(1~20fps)/1080P/720P(1 ~ 25/30fps)
	Sub Stream	D1/CIF(1 ~ 25/30fps)
Bit Rate	H.264: 32K ~ 8192Kbps	
Audio		
Compression	N/A	
Interface	N/A	
Network		
Ethernet	RJ-45 (10/100Base-T)	
Wi-Fi	N/A	
Protocol	IPv4/IPv6, HTTP, HTTPS, SSL, TCP/IP, UDP, UPnP, ICMP, IGMP, SNMP, RTSP, RTP, SMTP,	
Compatibility	ONVIF,PSIA,CGI	
Max. User Access	20 users	
Smart Phone	iPhone, iPad, Android, Windows Phone	
Auxiliary Interface		
Memory Slot	N/A	
RS485	N/A	
Alarm	N/A	
PIR Sensor Range	N/A	


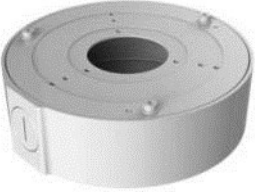

AD-IPC-HDW4300S

General	
Power Supply	DC12V, PoE (802.3af)
Power Consumption	Max 4W
Working Environment	-30°C~+60°C, Less than 95% RH
Ingress Protection	IP66
Vandal Resistance	N/A
Dimensions	Φ113.6mm×85.8mm
Bare Machine Weight	0.29kg(0.45kg with packaging)

Dimensions (mm)



Accessories (optional)

		
PFA122	PFA130	PFB200W