

## AD-IPC-HF5421E

### 4MP Full HD Network Camera



### Features

- 1/3" 4Megapixel progressive scan CMOS
- Support H.264&MJPEG dual codec
- Max 20fps@4M(2688×1520) & 25/30fps@3M(2304×1296)
- Smart Detection supported
- WDR(120dB), Day/Night(ICR), 3DNR,AWB,AGC,BLC
- Multiple network monitoring: Web viewer, CMS(DSS/PSS) & DMSS
- 2/1 Alarm in/out, 1/1 audio in/out(Built-in Mic)
- Auto back focus(ABF)
- Micro SD memory, PoE

# AD-IPC-HF5421E

## Technical Specifications

<b>Model</b>	<b>AD-IPC-HF5421E</b>	
<b>Camera</b>		
Image Sensor	1/3" 4Megapixel progressive scan CMOS	
Effective Pixels	2688(H)x1520(V)	
Scanning System	Progressive	
Electronic Shutter Speed	Auto/Manual, 1/3(4)~1/100000s	
Min. Illumination	0.01Lux/F1.2 (Color), 0.001Lux/F1.2(B/W)	
S/N Ratio	More than 50dB	
Video Output	1 channel BNC (1.0Vp-p, 75Ω)	
<b>Camera Features</b>		
Max. IR LEDs Length	N/A	
Day/Night	Auto(ICR)/Color/B/W	
Backlight Compensation	BLC / HLC / WDR(120dB)	
White Balance	Auto/Sunny/Night/Outdoor/Customized	
Gain Control	Auto/Manual	
Noise Reduction	3D	
Privacy Masking	Up to 4 areas	
EIS	Support	
Smart focus	ABF	
<b>Lens</b>		
Mount Type	C/CS	
<b>Video</b>		
Compression	H.264/H.264B/H.264H/ MJPEG	
Resolution	4M(2688x1520)/4M(2560x1440)/3M(2304x1296)/1080P(1920x1080)/720P(1280x720)/D1(704x576/704x480)/CIF(352x288/352x240)	
Frame Rate	Main Stream	4M(1~20fps)/3M(1 ~ 25/30fps)
	Sub Stream	D1/CIF(1 ~ 25/30fps)
	Third Stream	720P(1-20fps)

# AD-IPC-HF5421E

## Technical Specifications

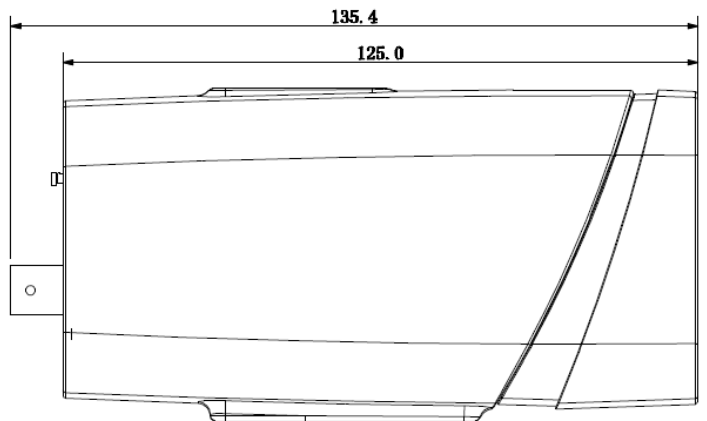
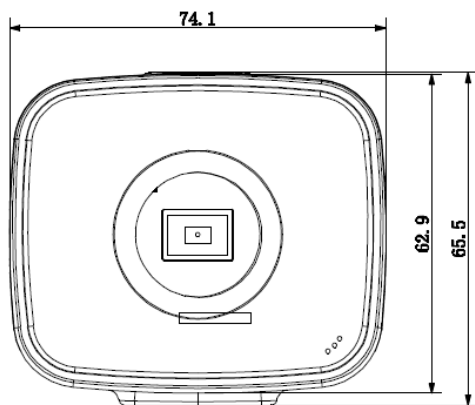
Bit Rate	H.264: 32K ~ 10Mbps
ROI	Up to 4 areas
<b>Audio</b>	
Compression	G.711a / G.711u/ AAC
Interface	1/1 channel In/Out(Built-in Mic)
<b>Smart Function(Optional)</b>	
Smart detection	Tripwire
	Intrusion
	Abandoned/Missing
	Scene Change
	Audio detect
	Face detect
<b>Network</b>	
Ethernet	RJ-45 (10/100Base-T)
Wi-Fi	N/A
Protocol	IPv4/IPv6, HTTP, HTTPS, SSL, TCP/IP, UDP, UPnP, ICMP, IGMP, SNMP, RTSP, RTP, SMTP, NTP, DHCP, DNS, PPPOE, DDNS, FTP, IP Filter, QoS, Bonjour,802.1x
Compatibility	ONVIF ,PSIA,CGI
Max. User Access	20 users
Smart Phone	iPhone, iPad, Android, Windows Phone
<b>Auxiliary Interface</b>	
Memory Slot	Micro SD card, Max 128GB
RS485	1
Alarm	2/1 channel In/Out

# AD-IPC-HF5421E

## Technical Specifications

General	
Power Supply	DC12V/AC24V, PoE (802.3af)
Power Consumption	< 10W (ABF&ICR on)
Working Environment	-30°C~+60°C, Less than 95% RH
Ingress Protection	N/A
Dimensions	74.1mm×65.5mm×135.4mm
Weight	0.3Kg

### Dimensions (mm)



### Accessories (optional)

