

## AD-SD6C430U-HN

### 4 Mega pixel Full HD 30x WDR Network IR PTZ Dome Camera



### Features

- 4Mega Pixel Real Time Professional IR PTZ Camera
- 30x optical zoom
- Latest Compression H.265 Supported
- Support Multiple Video Compression H.265 / H.264 / H.264H / MJPEG
- Support Triple-stream encoding
- Multiple Independent Full HD 1080p Streams
- 60fps @ Full HD Resolution (1920x1080)
- 25/30fps@4M(2592x1520),50/60fps@3M/1080P resolution
- 120dB WDR, Day/Night(ICR), Ultra DNR, Auto iris, Auto focus
- Multiple network monitoring: Web viewer, CMS(DSS/PSS) & DMSS
- 240°/s pan speed, 360° endless pan rotation
- Up to 255 presets, 5 auto scan, 8 tour, 5 pattern
- Built-in 2/1 alarm in/out, Support intelligent 3D positioning
- Micro SD memory for local recording, IP66 Weather Proof
- IR Distance up to 100m

# AD-SD6C430U-HN

## Technical Specifications

<b>Model</b>	<b>AD-SD6C430U-HN</b>
<b>Camera</b>	
Image Sensor	4MP Sensor
Effective Pixels	2688(H) x 1520(V)
Scanning System	Progressive
Electronic Shutter Speed	1/1 ~ 1/30,000s selectable
Min. Illumination	Color: 0.05Lux; B/W: 0.005Lux, 0Lux (IR On)
S/N Ratio	More than 50dB
Video Output	BNC(1.0Vp-p/75Ω), PAL / NTSC
<b>Camera Features</b>	
Day/Night	Auto(ICR) / Color / B/W
WDR	Dual Shutter 120dB
Backlight Compensation	BLC / HLC / WDR(120dB)
White Balance	Auto, ATW, Indoor, Outdoor, Manual
Gain Control	Auto / Manual
Image Enhancement	Brightness, Contrast, Sharpness, Compression, BLC, Mirroring, WDR, AWB, AGC, Day/
Noise Reduction	Ultra DNR (2D/3D)
Privacy Masking	Up to 24 areas
Digital Zoom	16x
<b>Lens</b>	
Focal Length	4.5mm ~ 135.0mm (30x Optical Zoom)
Type	Auto Iris (DC Drive)
Max Aperture	F1.6 ~ F4.4
Focus Control	Auto / Manual
Angle of View	H: 60° ~ 2.40°
Close Focus Distance	10mm~ 1500mm

# AD-SD6C430U-HN

## Technical Specifications

<b>PTZ</b>	
Pan/Tilt Range	Pan: 0° ~ 360° endless; Tilt: 180° auto flip
Pan/Tilt Speed	Pan: 240° /s; Tilt: 200° /s (Presets)
Preset	Up to 255
PTZ Mode	5 Pattern, 8 Tour, Auto Pan, Auto Scan
Speed Setup	Human-oriented focal length/ speed adaptation
Power up Action	Auto restore to previous PTZ and lens status after power failure
Idle Motion	Activate Preset/ Pan/ Scan/ Tour/ Pattern if there is no command in the specified period
Protocol	DH-SD, Pelco-P/D (Auto recognition)
IR Distance	150 Meters (2 near IR LED+ 4 far IR LED)
IR Wavelength	850 nm
<b>Video</b>	
Video Compression	H.265 / H.264 / H.264H / MJPEG
Resolution	4M(2592×1520)/3M(2304×1296)/1080P(1920×1080) / 720P(1280×720) / SXGA (1024×768) / D1(704×576/ 704×480) VGA (800×600) /CIF/QVGA (352×288/352×240)
No. of Streams	3 Independent Streams, Multiple real time 30fps 1080p Streams
Frame Rate	4M/3M(25/30fps)/1080P(50/60fps)
Bit Rate	All Streams: Controllable Frame rate and Bandwidth CBR/VBR
<b>Audio</b>	
Compression	G.711a / G.711u(32kbps)/ PCM(128kbps)
Interface	1/1 channel In/Out
<b>Intelligent Function</b>	
IVS	Tripwire, Intrusion, Abandoned Object Detection, Missing Object Detection, Motion Detection
Face Detection	Support
Alarm Trigger	IVS Functions, Intelligent Video, Face Detect, Periodical Timer, Ping Loss, Network Dis-
Alarm Event	Intelligent IVS Events, Face Detection, FTP/SD Card/NAS Upload, Email Notification,

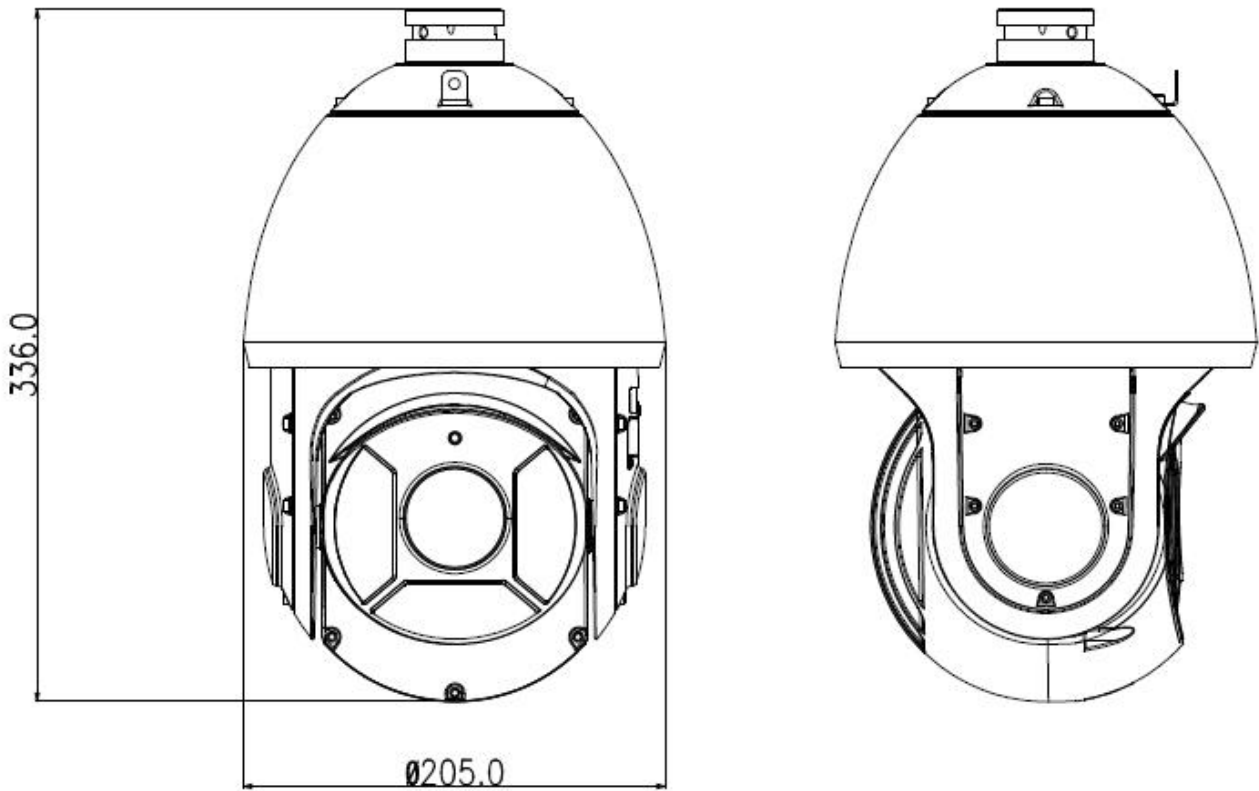
# AD-SD6C430U-HN

## Technical Specifications

Network	
Ethernet	RJ-45 (10/100Base-T)
Protocol	IPv4/ IPv6, HTTP, HTTPS, SSL, TCP/IP, UDP, UPnP, ICMP, IGMP, SNMP, RTSP, RTP, RTCP, SMTP, PSS/Web Client(NAS), PSS Client, NTP, DHCP, DNS, PPPOE, DDNS, FTP, ARP, IP Filter, QoS, Bonjour, 802.1x
Compatibility	ONVIF PSIA CGI
Max. User Access	20 users
Smart Phone	iPhone, iPad, Android, Windows Phone
Web Browser	Microsoft IE, Google Chrome, Mozilla Firefox, Opera
Auxiliary Interface	
Memory Slot	Micro SD Card, 128GB
RS485	1
Alarm	2/1 channel In/Out
General	
Power Supply	AC 24V/3A, DC 12V ( $\pm 10\%$ )
Power Consumption	10.5W, 26W (IR on, Heater on)
Working Environment	-40°C ~ 60°C / Less than 90% RH
Ingress Protection	Metal (Aluminum), IP66 Weather Proof / Vandal Proof
Dimensions	$\Phi 204.7(\text{mm}) \times 359.9(\text{mm})$
Weight	7.8kg
Approvals	FCC Part 15 subpart B, CE EN55022 Class A, EN55024, UL, ROHS, LVD

## AD-SD6C430U-HN




Dimensions (mm)



# AD-SD6C430U-HN

## Accessories (optional)

		
AD-69FB	AD-PFA111	Power Supply

		
AD-PFA120	AD-PFA150	AD-PFA151

			
AD-PFB303W	AD-PFB301S	AD-PFA112	AD-PFA113