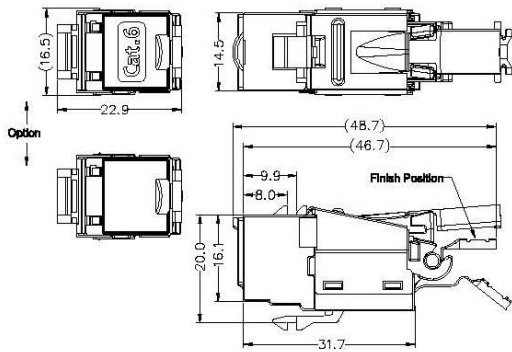
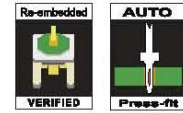


AD-JC6FHB Cat.6 Connecting Hardware STP Keystone Jack



Specification:

ISO/IEC, EN, TIA Connecting Hardware
ANSI/TIA 568-C.2 Re-embedded
ISO/IEC 11801 2.2 Edition
EN 50173-1:2011
IEC 60603-7-5 2nd Edition

Physicals:

Housing : PC UL 94V-0
PCB MODULE
Insertion : PBT UL 94V-0
Contact : Ø 0.46 mm Phosphor bronze, gold over nickel plating
IDC Holder : PC UL 94V-0
PCB : FR4 UL 94V-0
Cap : PC UL 94V-0
Color code label : Paper
Door : PC UL 94V-0
Contact spring : Phosphor bronze, nickel plating.
Shield base : SPTE
Shield cap : SPTE

