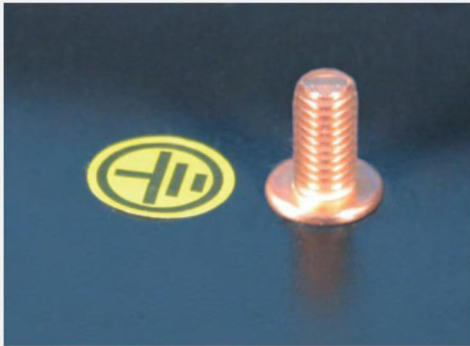


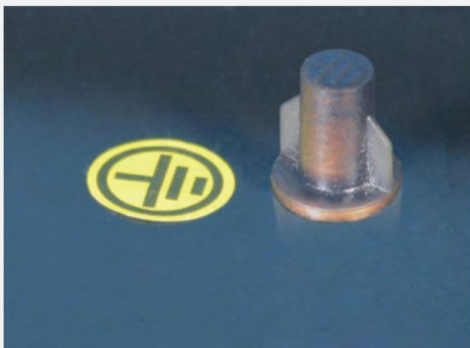
AD-G Series Server/Networking Cabinets Features

Earthing device

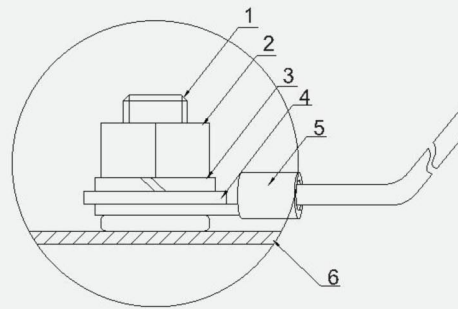


Earth knit

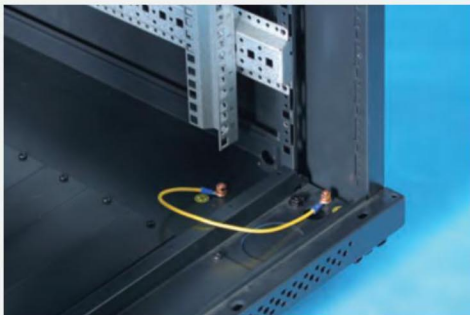
Specification	values (kgf·cm·min)
Test tighten torque	28.8
Allowable tightening torque	36



Earth knif with jacket

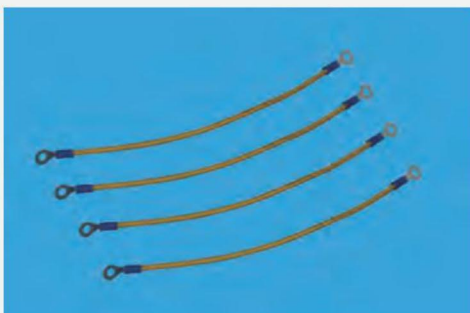


Drawing of earthing knif



Main parts with earthing knifs can connect with each other

S/N	Specification	S/N	Specification
1	M6*13 screw	4	ø6 Spring cushion
2	ø6 Nut	5	Earthing kit
3	ø6 Flat cushion	6	workpiece



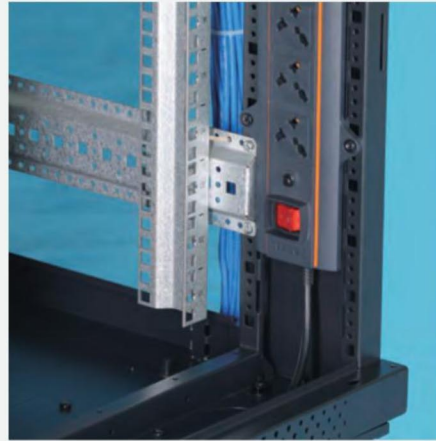
Earth wire

Model No.	Specification
320600631	0.1M*3. 332MM ² , Kelly, with ground connector
320600017	0.25M*3. 332MM ² , Kelly, with ground connector
320600011	0.3M*3. 332MM ² , Kelly, with ground connector
320600003	0.5M*3. 332MM ² , Kelly, with ground connector
320600010	0.8M*3. 332MM ² , Kelly, with ground connector
320600022	1.0M*3. 332MM ² , Kelly, with ground connector

AD-G Series Server/Networking Cabinets Features

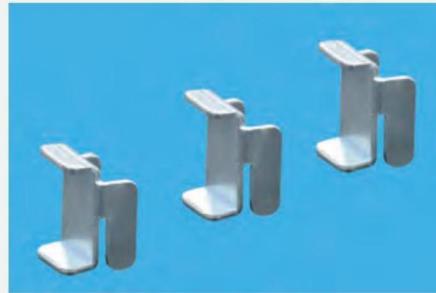
Vertical installation PDU

- Vertical installation PDU do not take up space of equipment;
- Mounting angle can be shorten in back, can meet full size PDU with vertical installation.
- A complete set of accessories;
- PDU with thickness less than 50mm, after installation will not affect the server after disassembling
- With vertical inclined hole vertical installation PDU, the space taken by the plugs is smaller, which can save installation space



Baying knits

- Connecting 2 cabinets;
- Tool-free installation;
- When connecting, side doors will remove;
- 4 baying knits is used for each 2 cabinets.



Baying knits

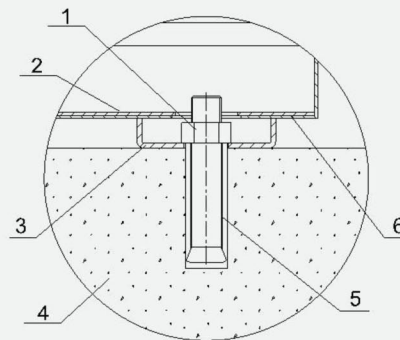


cabinets connecting

Grounding



Bottom cover of cabinet can be ground



Details

S/N	Specification
1	M12 screw
2	Frame
3	Pallet
4	Floor
5	M12 expansion bolt
6	Bottom cover

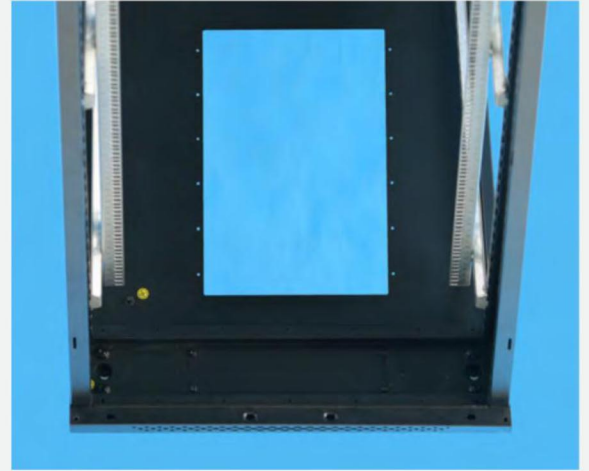
AD-G Series Server/Networking Cabinets Features

The cable entry at bottom

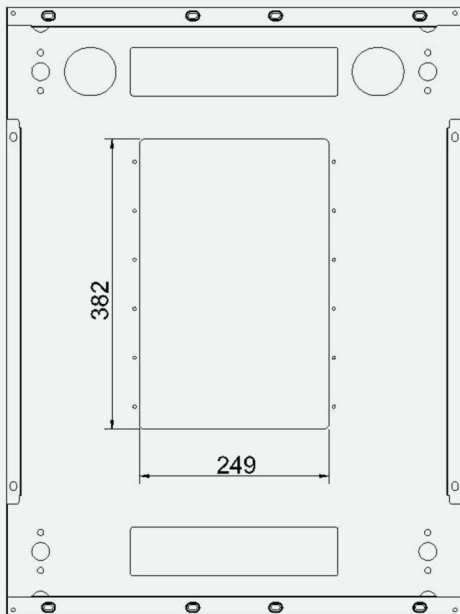
- The cable entries are closed separately;
- Meet strong and weak wire's separated request;
- Reach 1000pcs Cat6 cable's entry;
- Round the corner, can protect cable.



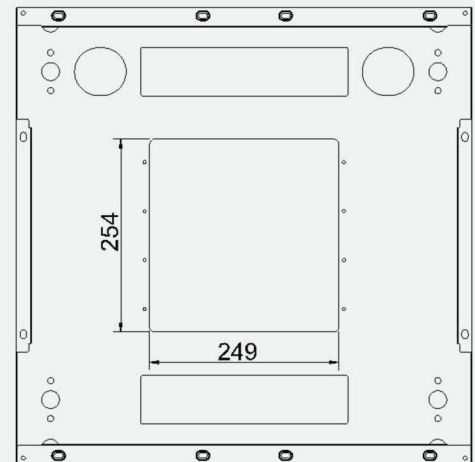
Close the cable entry at bottom



Open the cable entry at bottom



Depth ≥ 800mm



Depth < 800mm

AD-G Series Server/Networking Cabinets Features

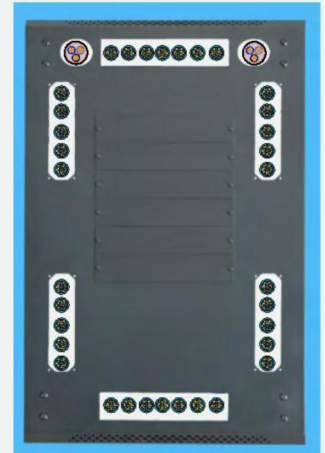
The cable entry on top



Close the cable entry on top



Open the cable entry on top



Strong current wire and weak current wire separately



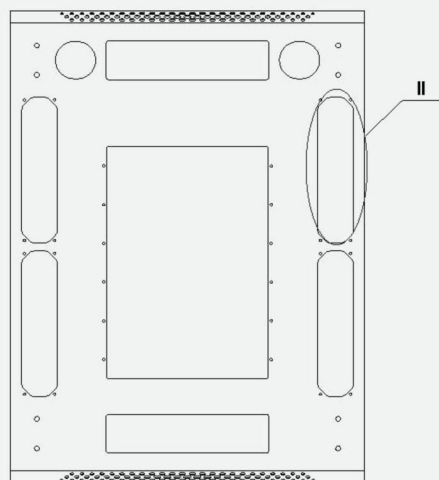
Close the fans installation on top



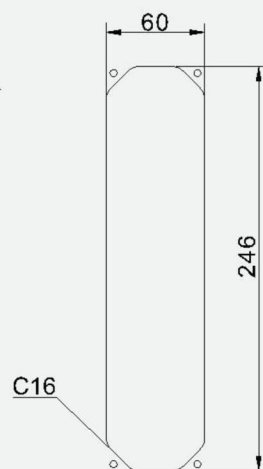
Open the fans installation on top



Fan units for top cover



The view of the holes on top



II enlargement



Fan units for top cover (optional)

AD-G Series Server/Networking Cabinets Features

Cushion



Cabinets with cushion

- Front & rear door with cushion;
- Prevent directly collision between front & rear door and frame;
- Protect the vibration of equipment from failure as of the collision with cabinets;
- Keep the gap between front & rear door and frame uniformity.



Enlargement of 1.2.3

Nut Coating protection plug

- Prevent the powder from falling into nut during spraying;
- Easy to remove the protection plug by collocation wrench;
- The surrounding powder will not fall down when remove the protection plug;
- Ensure the feet fit the nut perfectly.



The nut with nut protection plug when spraying



the nuts without nut protection plug



M12 feet