

AD-HR-AMP-AC

ADTRONICS High Voltage RGB Amplifier

Technical Parameters:

Working temperature: -20-60°C

In/output Voltage: AC110-240V

Dimensions: 110*65*24mm

Max load current: 8A for each color

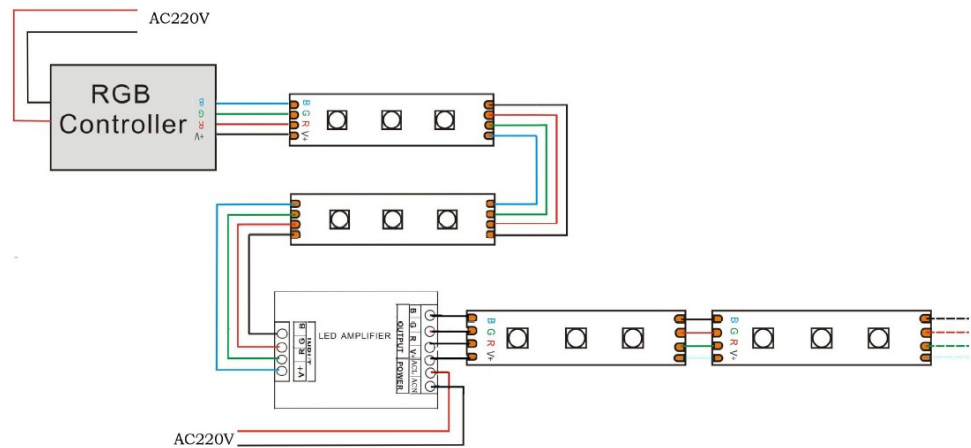
Connecting mode: Common anode



Function

It is used to receive RGB signal from LED controller and send the signal to another group of LED source.

Connect Diagram



Cautions:

- 1-This products Input voltage is AC110-220V,other input voltage are not allowed.
- 2-Lead wire should be connected correctly,according to the wire color and the connecting diagram offers.
- 3-Overload are prohibited.