



ADTRONICS® AD-MPS Motorized Projection Screen For Ceiling Recessed Installations

Product specifications:

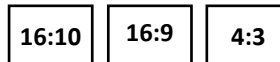
- Ceiling recessed electrically operated projection screen 230 volt (50Hz) with a usage of no more than 0.43 Ampere (98.9 Watt).
- The motor is mounted on the left side in the steel casing with rubber dampers to reduce sound.
- The motor is mounted inside the roller, 4 wire, 26 rotations per minute, maintenance free, integrated brake and thermal overload cut-out.
- The 4 wire connection goes through the metal casing.
- The casing is galvanised on the inside and on the outside powder coated with a matte structure coating (RAL 9016).
- The roller with the projection surface is supplied fully mounted but can be removed on location for the protection of the projection surface.
- After installation the projection screen surface is reachable through the bottom of the casing.
- The bottom of the case can swing open through an easy and innovative unlocking mechanism.
- Install the screen case separate from the screen surface during the rough-in stages of construction.
- The Screen Surface Assembly includes the roller, motor and screen surface.
- The roller can be easily removed via a unique push-release mechanism.
- The triangular slat bar rolls into the case completely.
- The screen fabrics are flame retardant and seamless in the viewing area.
- The projection fabrics have a black backing.
- The projection surface has a standard black drop of 30 cm.
- Standard 3 position wall switch is supplied.
- The projection screen is CE marked and satisfies the strictest quality and safety requirements.
- Integrated RF receiver option: this version will have a 3 wire connection and will be supplied with a remote control.



Options:

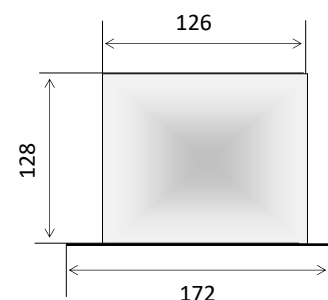
RF - Radio frequency: Includes built-in radio frequency receiver, making it possible to operate the screen using the supplied remote control. Standard remote control is supplied when selected this option.

Aspect Ratios:



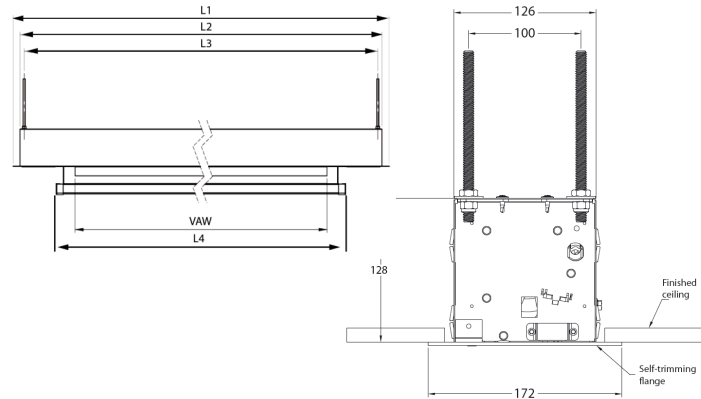
Available dimensions

Minimum width: 180 cm
Maximum width: 400 cm



ADTRONICS® AD-MPS Motorized Projection Screen For Ceiling Recessed Installations

		Viewing Area	DescenderPro			
			Dimensions (mm)			
		cm	L1	L2	L3	L4
16:10	200	119 x 190	2178	2148	2129	2040
	220	131 x 210	2378	2348	2329	2240
	240	144 x 230	2578	2548	2529	2440
	260	156 x 250	2778	2748	2729	2640
	280	169 x 270	2978	2948	2929	2840
	300	181 x 290	3178	3148	3129	3040
	320	194 x 310	3378	3348	3329	3240
	340	206 x 330	3578	3548	3529	3440
	360	219 x 350	3778	3748	3729	3640
	380	231 x 370	3978	3948	3929	3840
400	244 x 390	4178	4148	4129	4040	
16:9	200	107 x 190	2178	2148	2129	2040
	220	118 x 210	2378	2348	2329	2240
	240	129 x 230	2578	2548	2529	2440
	260	141 x 250	2778	2748	2729	2640
	280	152 x 270	2978	2948	2929	2840
	300	163 x 290	3178	3148	3129	3040
	320	174 x 310	3378	3348	3329	3240
	340	186 x 330	3578	3548	3529	3440
	360	197 x 350	3778	3748	3729	3640
	380	208 x 370	3978	3948	3929	3840
400	219 x 390	4178	4148	4129	4040	



Available standard resolution projection surfaces
All screen surfaces are seamless in the viewing area.

	Matte White	Datalux	High Contrast
Gain:	1.0	1.5	1.1
Viewing Angle:	120°	70°	100°
Base material:	Fiberglass	Fiberglass	Fiberglass
Fire retardancy:	B2	B2	Yes
Black backing:	Yes	Yes	B2
Opacity rating:	> 99 %	> 99 %	> 99 %
Seamless:	Yes	Yes	Yes
GreenGuard certification:	Yes	Yes	Yes

Accessories - control options

For projection screens with a standard motor / delivered as standard with a wall switch- All-in-One Control Box, which contains:

- > Relay (dry contact)
- > RF control, including remote control
- > IR control, including remote control
- > Manual switch
- > 12v DC trigger
- Power Sensing Trigger (need All-in-One Box to function)
- Easy Install plug & play relaybox with potential free contacts

- > Easy Install plug & play RS232/RS422 control kit
- > Easy Install plug & play RS232/RS422 with IP control kit
- Keyswitch

For projection screens with an RF motor / delivered as standard with a remote control

- RF wall-mounted transmitter (433,92 Mhz)
- 4-channel RF remote control (433,92 Mhz)

Accessories - installation

- Ceiling brackets (100 cm.)
- Set extension brackets (75 cm.)
- Set extension brackets (30 cm.)